

**Precision vises, threaded spindle
sine function Acc. 0,005mm/100mm
75x73mm/ 0-45°**

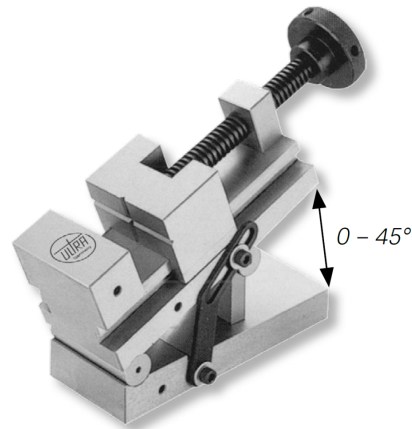
Product number: 1587102

EAN / GTIN: 4066918060839

Customs code: 84662098

Delivery method: Parcel delivery service

Weight: 7kg



Product description

- Works standard
- Accuracy 0.005mm / 100mm
- Hardened and ground special steel

Delivered in individual packages

Technical Data

Size: 75x73mm/ 0-45°

Article number: 1587102

Brand: ULTRA

B: 73mm

Execution: Tilting

H1: 30mm

H2: 103mm

L: 180mm

M: 75mm

Weight: 7kg