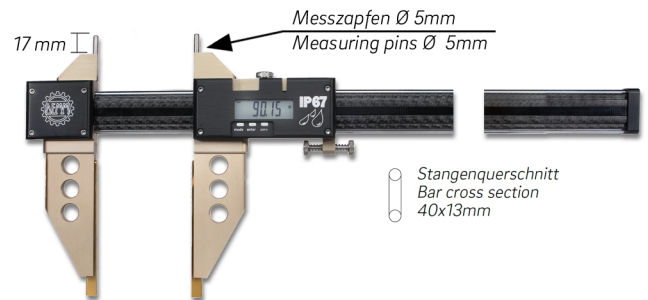


Digital calipers ARGO BD CARBON in box
With cylindrical measuring pins, without fine adjustment
2000x150/0,01mm IP67

| | |
|-----------------------------|---------------|
| Product number: | 1851965ip |
| EAN / GTIN: | 4066918071118 |
| Manufacturer number: | 00569 |
| Customs code: | 90173000 |
| Delivery method: | Truck freight |
| Weight: | 2.65kg |



Product description

- Works standard
- Protection class IP67, Sylvac System
- Locking screw
- With constant measuring force due spring
- Carbon profile with high strength of shape 40x13mm
- Guiding elements made of chromed steel
- Measuring faces made of stainless steel, TIN coated
- Extremely low weight
- Large LCD display

Delivered in a case

Functions:

- On/Off
- Auto-On by sliding
- mm/inch commutation
- Zero setting at any position
- ABS function (fixed 0 point)
- Absolute system
- Preset function \pm
- Hold function
- Data output Proximity

Technical Data

| | |
|------------------------------|----------------------|
| Size: | 2000x150/0,01mm IP67 |
| Article number: | 1851965ip |
| Brand: | DEMM |
| Manufacturer number: | 00569 |
| Accuracy: | 0,06mm |
| Bar: | Carbon |
| Bar cross section: | 40x13mm |
| Cyl. meas. pins Ø5mm: | With |
| Data output: | Proximity |
| Fine adjustment: | Without |
| Guiding elements: | Chrome steel |
| Jaw length: | 150mm |
| Measuring faces: | Stainless steel TIN |
| Measuring range: | 2000mm / 80 inch |
| Protection class: | IP67 |
| Reading: | 0,01mm / .0005 inch |
| Weight: | 2.65kg |