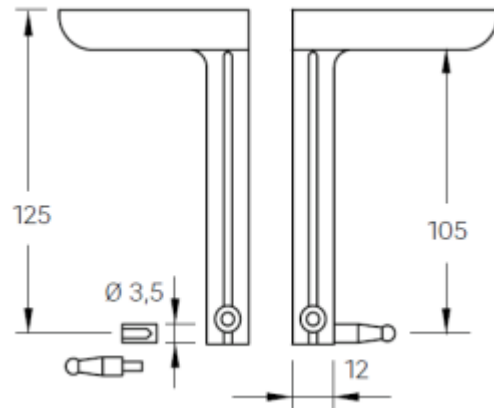


**Probes with pin (pair)**  
**for DEMM universal comparative measuring instruments**  
**Ø 3,5x12 / Ø 8x105mm**

**Product number:** 1390318  
**EAN / GTIN:** 4066918051837  
**Manufacturer number:** 99904  
**Customs code:** 90179000  
**Delivery method:** Parcel delivery service  
**Weight:** 0.06kg



## Product description

- Hardened special steel
- Suitable for CIRCE No. 1851 8.. with and without ip, PEGASO P No. 1851 9.., PLATON No. 1399 1.. / 1399 2.. / 1398 5.. / 1398 6.. and GEA No. 1399 6..

**Delivered in a package (pair)**

**! Other probe types and special executions on [request](#).**

## Technical Data

**Size:** Ø 3,5x12 / Ø 8x105mm  
**Article number:** 1390318  
**Brand:** DEMM  
**Manufacturer number:** 99904  
**Clamping shaft:** Ø 8mm  
**Dimension:** Ø 3,5x12 / Ø 8x105mm  
**Material:** Hardened steel  
**Type:** With pin  
**Weight:** 0.06kg