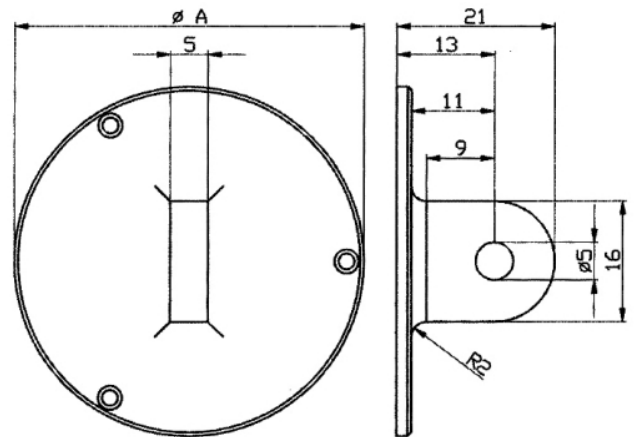


Dial gauge accessories

Back cover with lug

Ø40mm

| | |
|-----------------------------|-------------------------|
| Product number: | 1332101 |
| EAN / GTIN: | 4066918047397 |
| Manufacturer number: | 40056 |
| Customs code: | 90319000 |
| Delivery method: | Parcel delivery service |
| Weight: | 0.01kg |



Product description

- 1331 101:** Lifting device Ø 40mm
- 1331 102:** Lifting device Ø 58mm
- 1332 101:** Back cover with lug Ø 40mm
- 1332 102:** Back cover with lug Ø 58mm
- 1332 201:** Back cover with magnet Ø 40mm
- 1332 202:** Back cover with magnet Ø 58mm
- 1331 201:** Adapter for 3/8" to Ø8mm

Delivered in individual packages

! Other accessories on [request](#).

Technical Data

| | |
|-----------------------------|-------------------|
| Size: | Ø40mm |
| Article number: | 1332101 |
| Brand: | KÄFER |
| Manufacturer number: | 40056 |
| Execution: | for Diameter 40mm |
| Type: | Back cover lug |
| Weight: | 0.01kg |