

Precision vises, threaded spindle

Acc. 0,005mm/100mm

80x70mm

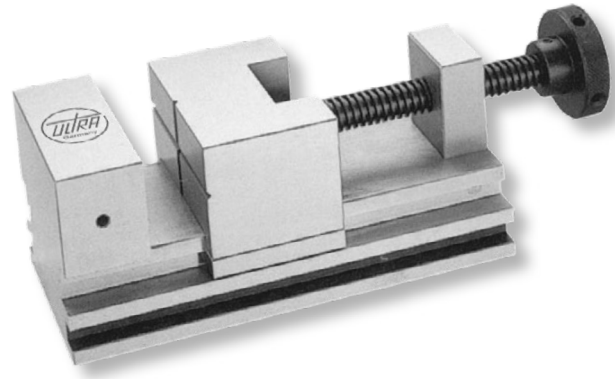
Product number: 1586102

EAN / GTIN: 4066918060754

Customs code: 84662098

Delivery method: Parcel delivery service

Weight: 3.6kg



Product description

- Works standard
- Accuracy 0.005mm / 100mm
- Hardened and ground special steel
- 4-side workpiece machining

Delivered in individual packages

Technical Data

Size: 80x70mm

Article number: 1586102

Brand: ULTRA

B: 70mm

H1: 30mm

H2: 62mm

L: 160mm

M: 80mm

Weight: 3.6kg