

**Vernier depth calipers ULTRA active inox
with offset measuring faces, with bevelled point
300x100-1/20mm**

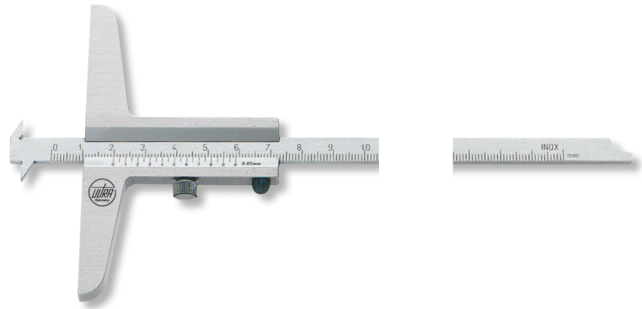
Product number: 1948102

EAN / GTIN: 4066918074997

Customs code: 90173000

Delivery method: Parcel delivery service

Weight: 0.18kg



Product description

- DIN 862
- Locking screw
- Hardened stainless steel
- Satin chrome reading parts
- mm-graduation on both sides
- Reversible measuring rod

Delivered in individual packages

! Other measuring ranges and versions on [request](#).

Technical Data

Size:	300x100-1/20mm
Article number:	1948102
Brand:	ULTRA
Bridge length:	100mm
Locking screw:	Yes
Material stainless steel:	Hardened
Measuring range:	300mm
Reading:	1/20mm
Reading parts:	Satin chrome plated
Type:	Offset meas. faces
Weight:	0.18kg