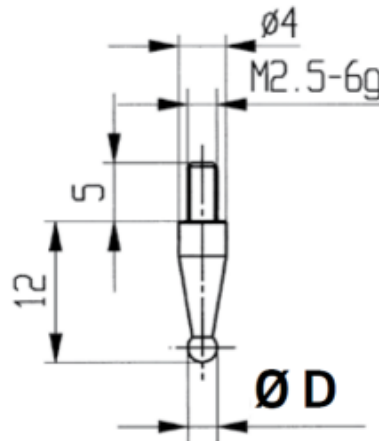


**Measuring inserts for dial gauges
with tungsten carbide ball
Ø2,5mm**

Product number: 1330210-2,5
EAN / GTIN: 4066918046871
Manufacturer number: 62067
Customs code: 90319000
Delivery method: Parcel delivery service
Weight: 0.01kg



Product description

- For dial gauges and comparator gauges
- Mounting thread M2.5

Delivered in individual packages

Technical Data

Size: Ø2,5mm
Article number: 1330210-
2,5
Brand: KÄFER
Manufacturer number: 62067
Weight: 0.01kg