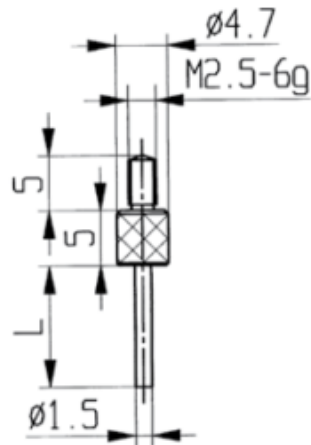


Measuring inserts for dial gauges
Special steel with thin measuring pin
30mm

Product number: 1330106-30
EAN / GTIN: 4066918045812
Manufacturer number: 62086
Customs code: 90319000
Delivery method: Parcel delivery service
Weight: 0.01kg



Product description

- For dial gauges and comparator gauges
- Mounting thread M2.5

Delivered in individual packages

Technical Data

Size: 30mm
Article number: 1330106-30
Brand: KÄFER
Manufacturer number: 62086
Length: 30mm
Weight: 0.01kg