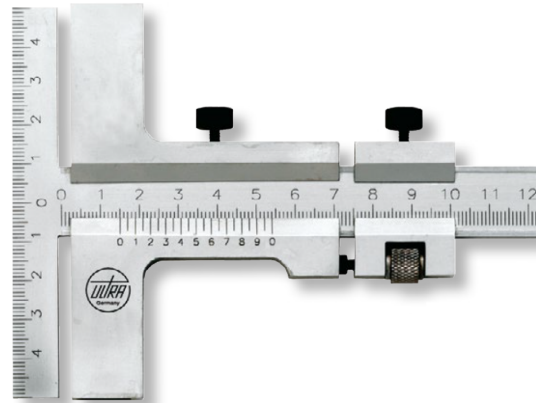


Marking vernier calipers, hardened special steel, matt
With scaled scribing bar, with fine adjustment
500x160-1/20mm

Product number: 1912105
EAN / GTIN: 4066918074300
Customs code: 90172039
Delivery method: Parcel delivery service
Weight: 0.67kg



Product description

- Works standard
- Fine adjustment and clamping screw
- Hardened special steel
- Satin chrome reading parts

Delivered in individual packages

Technical Data

Size: 500x160-1/20mm
Article number: 1912105
Brand: ULTRA
Locking screw: Yes
Material special steel: Hardened
Measuring range: 500mm
Reading: 1/20mm
Reading parts: Satin chrome plated
Scribing bar: 160mm
Weight: 0.67kg