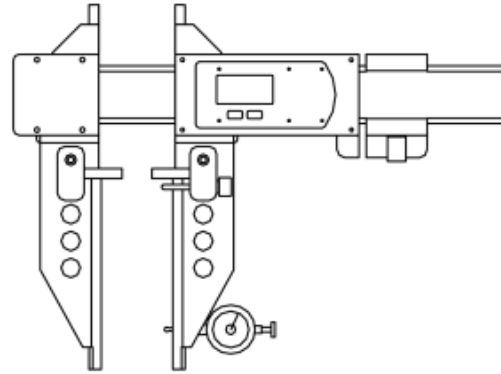


**Jaws with dial gauge mounting hole Ø 8mm
for Digital calipers ZEUS CARBON No. 1851 7..
200mm**

Product number: 1851755
EAN / GTIN: 4066918070579
Manufacturer number: 30993 BPC 200mm
Customs code: 90173000
Delivery method: Parcel delivery service
Weight: 0.3kg



*Schnabel mit Messuhraufnahme Ø 8mm
Jaw with dial gauge hole Ø 8mm*

Product description

Delivered in individual packages

Technical Data

Size: 200mm
Article number: 1851755
Brand: DEMM
Manufacturer number: 30993 BPC 200mm
Dial mounting hole: Ø 8mm
Length: 200mm
Type: Jaw
Weight: 0.3kg