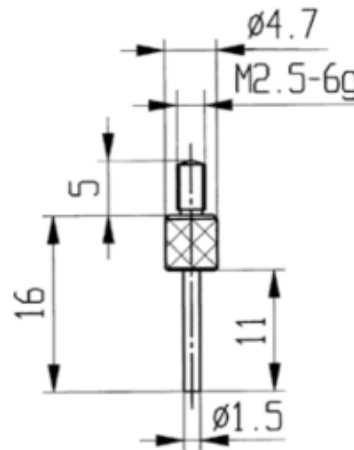


Measuring inserts for dial gauges

Tungsten carbide with thin measuring pin

Ø1,5mm

Product number: 1330206
EAN / GTIN: 4066918046819
Manufacturer number: 62013
Customs code: 90319000
Delivery method: Parcel delivery service
Weight: 0.01kg



Product description

- For dial gauges and comparator gauges
- Mounting thread M2.5

Delivered in individual packages

Technical Data

Size: $\varnothing 1,5\text{mm}$
Article number: 1330206
Brand: KÄFER
Manufacturer number: 62013
Weight: 0.01kg